

Capsule pressure gauge, copper alloy or stainless steel

Standard version, NS 50 and 63

Models 611.10 and 631.10



for further approvals
see page 3

Applications

- Pressure gauge for use in a protected environment
- Medical, vacuum, environmental, laboratory technology, for contents measurement and filter monitoring
- For gaseous, dry and non-aggressive media
- Model 631.10 also for aggressive media

Special features

- Zero point setting in front
- Special connection location on request
- Low scale ranges from 0 ... 25 mbar



Capsule pressure gauge, model 611.10

Description

The model 611.10 and 631.10 capsule pressure gauges are based upon the proven capsule measuring system. The capsule measuring principle is particularly suitable for low pressures. On pressurisation, the expansion of the capsule element, proportional to the incident pressure, is transmitted to the movement and indicated.

The case is made from black lacquered steel with a snap-fitted window. The material of the process connection is a copper alloy with model 611.10 and stainless steel with model 631.10.

The modular design enables a multitude of combinations of case materials, process connections, nominal sizes and scale ranges. Due to this high variance, the instrument is suitable for use in a wide range of applications within industry.

For mounting in control panels, the capsule pressure gauges can, depending on the process connection, be fitted with a surface mounting flange or with a triangular bezel and mounting bracket.

Standard version**Design**

EN 837-3

Nominal size in mm

50, 63

Accuracy class

1.6

Scale ranges

NS 50: 0 ... 60 mbar to 0 ... 600 mbar

NS 63: 0 ... 25 mbar to 0 ... 600 mbar

or all other equivalent vacuum or combined pressure and vacuum ranges

Pressure limitation

Steady: Full scale value

Fluctuating: 0.9 x full scale value

Permissible temperature

Ambient: -20 ... +60 °C

Medium: ≤ 100 °C

Temperature effect

When the temperature of the measuring system deviates from the reference temperature (+20 °C): max. ±0.6 %/10 K of full scale value

Ingress protection per IEC/EN 60529

IP32

Process connection

Model 611.10: Copper alloy

Model 631.10: Stainless steel

Lower mount or back mount

(NS 50: Only back mount)

G ¼ B (male), SW 14

Pressure element

Model 611.10: Copper alloy

Model 631.10: Stainless steel

Sealing

NBR

Movement

Copper alloy

Zero point setting

In front

Dial

Aluminium, white, black lettering

Pointer

Aluminium, black

Case

Steel, black

Window






Clear non-splintering plastic, domed, snap-fitted in case

Options

- Other process connection ¹⁾
- Sealings ¹⁾ (model 910.17, see data sheet AC 09.08)
- Stainless steel case ¹⁾
- Overload ¹⁾ or vacuum safety ¹⁾ with scale ranges < 40 mbar: 3 x full scale value
scale ranges ≥ 40 mbar: 10 x full scale value
- Slip-on bezel
- Panel or surface mounting flange
- Triangular bezel with clamp

¹⁾ only for NS 63

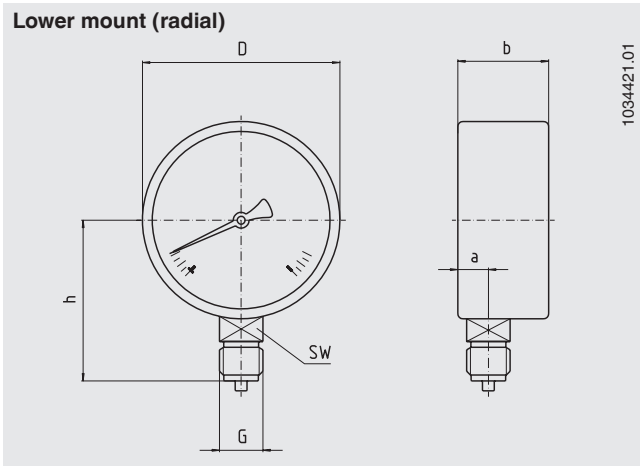
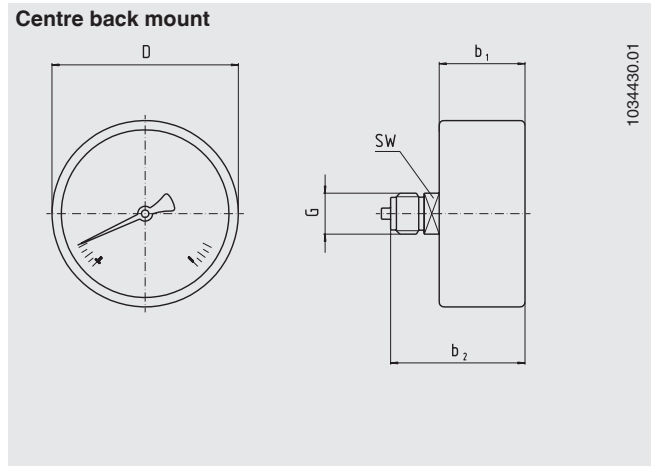
Approvals

Logo	Description	Country
	GOST (option) Metrology, measurement technology	Russia
	KazInMetr (option) Metrology, measurement technology	Kazakhstan
-	MTSCHS (option) Permission for commissioning	Kazakhstan
	BelGIM (option) Metrology, measurement technology	Belarus
	UkrSEPRO (option) Metrology, measurement technology	Ukraine
	Uzstandard (option) Metrology, measurement technology	Uzbekistan
-	CPA (option) Metrology, measurement technology	China

Certificates (option)

- 2.2 test report
- 3.1 inspection certificate

Approvals and certificates, see website

Dimensions in mm
Standard version
Lower mount (radial)

Centre back mount


NS	Dimensions in mm								Weight in kg
	a	b	b ₁	b ₂	D	G	h ±1	SW	
50	-	-	28	47	50	G ¼ B	-	14	0.09
63	9.5	40	36.5	54.5	63	G ¼ B	51	14	0.20

Process connection per EN 837-3 / 7.3